

JP09-073075_E

[Title of the Invention] PRODUCTION OF LIQUID CRYSTAL
 DISPLAY ELEMENT AND APPARATUS FOR PRODUCING LIQUID
 CRYSTAL DISPLAY ELEMENT

[Abstract]

[Object] to make it possible to rapidly produce a high polymer dispersion type liquid crystal display element without the occurrence of unequalness and air bubbles and to produce with good reproducibility.

[Solving Means] Transport electrodes 3, 4 are formed on the opposite surfaces of a pair of substrates 1, 2 at least one of which has translucency. Sealing material 7, 8 are applied on a pair of these substrates 1, 2 in the state of providing at least either thereof with a discharge port 11. Spacers 9 are fixed and arranged on at least one opposite surface of a pair of the substrates 1, 2. Composition 10 of a liquid crystal material and a photopolymerizable resin material is dropped on one of a pair of the substrates 1, 2 and a pair of the substrates 1, 2 is superposed on each other. The substrate 2 having the translucency is irradiated with light in the state of pressing the substrates 1, 2 in such a manner that the composition 10 is diffused over the entire part between a pair of the substrates 1, 2 to thereby cause the phase separation of the liquid crystals and resin of the composition 10. The excess composition discharged

from the discharge port 11 is removed and the discharge port 11 is sealed.

[Claims]

[Claim 1] A method of producing liquid crystal display element, comprising: fixing and arranging a spacer on at least one opposite surface of a pair of substrates at least one of which has translucency; dropping composition of a liquid crystal material and a photopolymerizable resin material on said one of a pair of substrates ; superposing a pair of substrates without sealing part; irradiating the substrate having translucency with light in the state of pressing the substrates in such a manner the composition is diffused over the entire part between a pair of the substrates to thereby cause the phase separation of the liquid crystals and resin of the composition.

[Claim 2] A method of producing liquid crystal display element, comprising: applying sealing material on a pair of substrates in the state of providing at least either thereof with a discharge port; fixing and arranging a spacer on at least one opposite surface of a pair of substrates at least one of which has translucency; dropping composition of a liquid crystal material and a photopolymerizable resin material on said one of a pair of substrates ; superposing a pair of substrates; irradiating the substrate having translucency with light in the state of pressing the

substrates in such a manner the composition is diffused over the entire part between a pair of the substrates to thereby cause the phase separation of the liquid crystals and resin of the composition.

[Claim 3] The method according to Claim 2, wherein sealing material is photopolymerizable resin material.

[Claim 4] The method according to Claim 2 or 3, wherein sealing material is applied in the state of providing the peripheral part of the opposite surfaces of a pair of substrates, the composition is dropped on one side of a pair of substrates which is an opposite side of the discharge port and provided with sealing material.

[Claim 5] The method according to Claim 2 or 3, wherein sealing material is applied on each peripheral part of the opposite surfaces of a pair of rectangular substrates, the discharge port is provided on the sealing material of each peripheral part, and the composition is dropped on the almost center of one side of a pair of the substrates.

[Claim 6] The method according to Claim 2, 3, 4 or 5, wherein sealing material is two-fold.

[Claim 7] A method of producing liquid crystal display element, comprising: fixing and arranging a spacer on at least one opposite surface of a pair of substrates at least one of which has translucency; dropping composition of a liquid crystal material and a photopolymerizable resin

material on said one of a pair of substrates ; superposing a pair of substrates with adjusting the position of a pair of the substrates by position adjusting means; irradiating the substrate having translucency with light in the state of pressing the substrates in such a manner the composition is diffused over the entire part between a pair of the substrates to thereby cause the phase separation of the liquid crystals and resin of the composition.

[Claim 8] The method according to Claim 1, 2, 3, 4, 5, 6, or 7, wherein the substrates are heated and are cooled down to its original temperature, and then light irradiation is performed when pressing the substrates.

[Claim 9] The method according to Claim 1, 2, 3, 4, 5, 6, 7 or 8, wherein the light having the wavelength larger than 1000nm and the light having the wavelength smaller than 300nm among the light irradiating the substrates are 1% or below in the intensity.

[Claim 10] An apparatus for producing liquid crystal display element by irradiating with light the substrate having translucency of a panel which is made by applying sealing material on a pair of substrates in the state of providing at least either thereof with a discharge port, fixing and arranging a spacer on at least one opposite surface of a pair of substrates at least one of which has translucency, dropping composition of a liquid crystal

material and a photopolymerizable resin material on said one of a pair of substrates, and superposing a pair of substrates, comprising:

panel fixing die for fixing the panel by interposing buffing material;

light diffusion medium provided on the substrate having translucency of the panel;

light permeable film pressing the panel by interposing the light diffusion medium; and

lamp irradiating the substrate having translucency with light via the light permeable film and the light diffusion medium.

[Claim 11] The apparatus according to Claim 10, wherein the light diffusion medium is not provided on the substrate having translucency of the panel, a light diffusion film is used instead of the light permeable film.

[Claim 12] An apparatus for producing liquid crystal display element comprising:

a pair of thermostats each of which has an absorption part absorbing and fixing the substrate in the opposite surface treated with light diffusion process, and at least one of which is capable of moving up and down;

circulating pump connected to the thermostat, and holding the temperature of the substrate at a fixed level by circulating the fluid in the thermostat;

nozzle dropping the composition of a liquid crystal material and a photopolymerizable resin material on the substrate absorbed to the downstream thermostat;

lamp provided in the outer surface of the thermostat;
position adjusting means provided in the outer surface of the thermostat and adjusting the superposing position of a pair of substrates.

[Detailed Description of the Invention]

[0001]

[Technical Field of the Invention]

The present invention relates to a method and an apparatus for producing liquid crystal display element which can be widely used in a display, a optical shutter, a projection TV, and so on.

[0002]

[Description of the Related Art]

A high polymer dispersion type liquid crystal display element using high polymer and a liquid crystal is pointed out because it does not require alignment process and a polarizer, and therefore it is possible to enhance the brightness of the display. Generally, the high polymer dispersion type liquid crystal display element is formed by interposing liquid crystal high polymer complex where liquid crystal is diffused and hold in the matrix comprised of high

polymer material composition between the substrates having a pair of electrodes. The refraction index in the state of natural light almost equals to the refraction index of a high polymer matrix.

[0003]

That is, the liquid crystal is aligned in practically parallel with the interface in the around of the interface with the high polymer matrix when no voltage is applied. If the light is entered at right angle in this state, the light is dispersed at the interface because the refraction index of the high polymer matrix is different from those of the liquid crystal. When a voltage is applied between the substrates, the liquid molecular of nematic liquid crystal having positive dielectric anisotropy is aligned perpendicularly with respect to the surface of the electrode, and the refraction index of the high polymer matrix for the incident light almost equals to the refraction index of the liquid crystal for the natural light. Thereby, the incident light is not dispersed, but transmitted. It is possible to apply this characteristic into light shutter.

[0004]

In the conventional method for manufacturing liquid crystal element, one injection port is provided in the substrates having electrodes a pair of surfaces of which is faced with holding the gap between the substrates through

the spacers. Sealing material comprising the spacer is formed around the substrate, the substrates are pressed, the thickness is hold uniformly, and the sealing material is hardened. Liquid crystal material is injected into the gap of the empty sell comprised of a pair of the glass substrates obtained by the above method. Examples of the methods of injecting liquid crystal material are as follows.

[0005]

One example is a method called a vacuum injection method. In this method, the empty cell is sufficiently decompressed by a vacuum pump in the vacuum chamber, and the injection port is immersed into the liquid crystal material. Then, the pressure of the vacuum chamber is returned to the atmospheric pressure, the difference in pressure make the cell be filled with the liquid crystal material. Another example is a method using a capillary phenomenon. In this method, the discharge port is provided in the opposite side of the injection port when make the empty cell. And then the side of the injection port is immersed into the liquid crystal material, the empty cell is filled with the liquid crystal material using the capillary phenomenon, and then the injection port and the discharge port are sealed with resin.

[0006]

[Problems to be Solved by the Invention]

However, there exist some problems in the conventional method. In the vacuum injection method, when the empty cell is highly decompressed, the composition is also exposed in the decompressing condition and the monomer is volatilized because the monomer used in the manufacture of the high polymer dispersion type liquid crystal display element is volatile. Thereby it is difficult to manufacture the liquid crystal display element.

[0007]

In the method using a capillary phenomenon, unequalness occurs easily due to the influence of the shape or wetness of the substrates, air bubbles occurs due to circulation insertion, it is difficult to inject the liquid crystal material to the entire display part so as to perform good reproducibility, and it takes time to injection. Thereby, it is the object of the present invention to provide a method and an apparatus for producing liquid crystal display element which make it possible to rapidly produce a high polymer dispersion type liquid crystal display element without the occurrence of unequalness and air bubbles and to produce with good reproducibility.

[0008]

[Means for Solving the Problems]

The method of producing liquid crystal display element in accordance with Claim 1 comprises: fixing and arranging a

spacer on at least one opposite surface of a pair of substrates at least one of which has translucency; dropping composition of a liquid crystal material and a photopolymerizable resin material on said one of a pair of substrates ; superposing a pair of substrates without sealing part; irradiating the substrate having translucency with light in the state of pressing the substrates in such a manner the composition is diffused over the entire part between a pair of the substrates to thereby cause the phase separation of the liquid crystals and resin of the composition.

[0009]

According to the method of producing liquid crystal display element in accordance with Claim 1, the liquid crystal display element is obtained by dropping composition of a liquid crystal material and a photopolymerizable resin material on one of a pair of substrates at least one of which has translucency, superposing a pair of substrates without sealing part, and irradiating the substrate having translucency with light. Thereby it is possible to produce the liquid crystal display element under the atmospheric pressure or regardless of the shape or wetness of the substrates. Also, because sealing portion is not needed, it is possible to make manufacturing process simple.

[0010]

The method of producing liquid crystal display element in accordance with Claim 2 comprises: applying sealing material on a pair of substrates in the state of providing at least either thereof with a discharge port; fixing and arranging a spacer on at least one opposite surface of a pair of substrates at least one of which has translucency; dropping composition of a liquid crystal material and a photopolymerizable resin material on said one of a pair of substrates ; superposing a pair of substrates; irradiating the substrate having translucency with light in the state of pressing the substrates in such a manner the composition is diffused over the entire part between a pair of the substrates to thereby cause the phase separation of the liquid crystals and resin of the composition.

[0011]

The method of producing liquid crystal display element in accordance with Claim 3 is characterized in that in the method according to Claim 2, the sealing material is composed of photopolymerizable resin material. The method of producing liquid crystal display element in accordance with Claim 4 is characterized in that in the method according to Claim 2 or 3, sealing material is applied in the state of providing the peripheral part of the opposite surfaces of a pair of substrates, the composition is dropped on one side of a pair of substrates which is an opposite side of the

discharge port and provided with sealing material.

[0012]

The method of producing liquid crystal display element in accordance with Claim 5 is characterized in that in the method according to Claim 2, or 3, sealing material is applied on each peripheral part of the opposite surfaces of a pair of rectangular substrates, the discharge port is provided on the sealing material of each peripheral part, and the composition is dropped on the almost center of one side of a pair of the substrates. According to the methods of producing liquid crystal display element in accordance with Claims 2-5, the liquid crystal display element is obtained by dropping composition of a liquid crystal material and a photopolymerizable resin material on one of a pair of substrates at least one of which has translucency, superposing a pair of substrates without sealing part, and irradiating the substrate having translucency with light. Thereby it is possible to produce the liquid crystal display element under the atmospheric pressure or regardless of the shape or wetness of the substrates. Also, because sealing portion is not needed, it is possible to make manufacturing process simple.

[0013]

According to the method of producing liquid crystal display element in accordance with Claim 3, the sealing

material is also harden when hardening the composition by light radiation because sealing material is comprised of photopolymerizable resin material. Thereby it is possible to reduce the number of processes.. The method of producing liquid crystal display element in accordance with Claim 6 is characterized in that in the method according to Claim 2, 3, 4, or 5, the sealing material is two-fold.

[0014]

According to the method of producing liquid crystal display element in accordance with Claim 6, the position deviation of the substrates is minimized by making the sealing material two-fold. The method of producing liquid crystal display element in accordance with Claim 7 comprises: fixing and arranging a spacer on at least one opposite surface of a pair of substrates at least one of which has translucency; dropping composition of a liquid crystal material and a photopolymerizable resin material on said one of a pair of substrates ; superposing a pair of substrates with adjusting the position of a pair of the substrates by position adjusting means; irradiating the substrate having translucency with light in the state of pressing the substrates in such a manner the composition is diffused over the entire part between a pair of the substrates to thereby cause the phase separation of the liquid crystals and resin of the composition.

[0015]

According to the method of producing liquid crystal display element in accordance with Claim 7, the liquid crystal display element is obtained by dropping composition of a liquid crystal material and a photopolymerizable resin material on one of a pair of substrates at least one of which has translucency, superposing a pair of substrates with adjusting the positions of a pair of substrates by the position adjusting means, and irradiating the substrate having translucency with light. Thereby it is possible to produce the liquid crystal display element under the atmospheric pressure or regardless of the shape or wetness of the substrates.

[0016]

The method of producing liquid crystal display element in accordance with Claim 8 is characterized in that in the method according to Claim 1, 2, 3, 4, 5, 6, or 7, the substrates are heated and are cooled down to its original temperature, and then light irradiation is performed when pressing the substrates. According to the method of producing liquid crystal display element in accordance with Claim 8, it is possible to eliminate air bubbles by heating when pressing a pair of substrates. Thereby, the liquid crystal display element without air bubbles can be obtained.

[0017]

The method of producing liquid crystal display element in accordance with Claim 9 is characterized in that in the method according to Claim 1, 2, 3, 4, 5, 6, 7 or 8, the light having the wavelength larger than 1000nm and the light having the wavelength smaller than 300nm among the light irradiating the substrates are 1% or below in the intensity. According to the method of producing liquid crystal display element in accordance with Claim 9, it is possible to produce the liquid crystal display element under the atmospheric pressure or regardless of the shape or wetness of the substrates by irradiating the substrates with light mentioned above.

[0018]

The apparatus for producing liquid crystal display element in accordance with Claim 10, wherein the liquid crystal display element is obtained by irradiating with light the substrate having translucency of a panel which is made by applying sealing material on a pair of substrates in the state of providing at least either thereof with a discharge port, fixing and arranging a spacer on at least one opposite surface of a pair of substrates at least one of which has translucency, dropping composition of a liquid crystal material and a photopolymerizable resin material on said one of a pair of substrates, and superposing a pair of substrates, comprising: panel fixing die for fixing the

panel by interposing buffing material; light diffusion medium provided on the substrate having translucency of the panel; light permeable film pressing the panel by interposing the light diffusion medium; and lamp irradiating the substrate having translucency with light via the light permeable film and the light diffusion medium.

[0019]

The apparatus for producing liquid crystal display element in accordance with Claim 11 is characterized in that in the apparatus according to Claim 10, the light diffusion medium is not provided on the substrate having translucency of the panel, a light diffusion film is used instead of the light permeable film. According to the methods of producing liquid crystal display element in accordance with Claim 10, 11, the liquid crystal display element is obtained by dropping composition of a liquid crystal material and a photopolymerizable resin material on one of a pair of substrates at least one of which has translucency, applying sealing material and superposing a pair of substrates, and irradiating the substrate having translucency with light. Thereby it is possible to produce the liquid crystal display element under the atmospheric pressure or regardless of the shape or wetness of the substrates.

[0020]

The apparatus for producing liquid crystal display element

in accordance with Claim 12 comprises: a pair of thermostats each of which has an absorption part absorbing and fixing the substrate in the opposite surface treated with light diffusion process, and at least one of which is capable of moving up and down; circulating pump connected to the thermostat, and holding the temperature of the substrate at a fixed level by circulating the fluid in the thermostat; nozzle dropping the composition of a liquid crystal material and a photopolymerizable resin material on the substrate absorbed to the downstream thermostat; lamp provided in the outer surface of the thermostat; position adjusting means provided in the outer surface of the thermostat and adjusting the superposing position of a pair of substrates.

[0021]

According to the apparatus for producing liquid crystal display element in accordance with Claim 12, the liquid crystal display element is obtained by dropping composition on the substrate absorbed on the downstream thermostat of a pair of substrates, superposing a pair of substrates with adjusting the superposing position by moving the thermostat by the position adjusting mean, and irradiating the substrate. Thereby it is possible to produce the liquid crystal display element under the atmospheric pressure or regardless of the shape or wetness of the substrates.

[0022]

[Embodiments]

<First embodiment>

The first embodiment in accordance with present invention is explained with reference to the Figs. 1 to 3. Fig. 1 is a cross-sectional view of a liquid crystal display element under manufacturing process. In Fig.1, reference numeral numbers 1, 2 is a pair of substrates, and the substrate 2 is at least composed of transparent materials. Transparent electrodes 3, 4 are formed on the opposite faces of the two substrates 1, 2. And, insulating layers 5, 6 are formed on the transparent electrodes 3, 4.

[0023]

Sealing material is applied around the opposite face of the substrate 2. Also, a spacer 9 is fixed and arranged on the opposite surface of the substrate 1. Composition 10 of a liquid crystal material and a photopolymerizable resin material is dropped on the substrate 1 in the opposite side of the discharge port 11. And a pair of the substrates 1 and 2 is superposed in the opposite side of the discharge port 11.

[0024]

The panel P constructed as above is combined with the liquid crystal display element shown in Figs. 2 and 3, and is irradiated with light. In the Figs., the reference numeral 20 indicates panel fixing jig for fixing the panel P,

the reference numeral 21 indicates lamp, the reference numeral 22 indicates a plate provided between the panel fixing jig 20 and the lamp 21, and the reference numeral 23 indicates a transparent film sheet 23. The substrates 1, 2 are interposed between the panel fixing jig 20 and the transparent film sheet 23 so as to generate a predetermined gap, and are pressed.

[0025]

The panel fixing jig 20 is provided with a buffing material 24, the buffing material 24 is provided with a panel P, and light diffusion medium 25 is formed on the substrate 2 of the panel P. Also, an opening 28 for transmitting light of the lamp 21 to the panel P are formed on the plate 22, and a thermic ray absorption filter 26 and a ultraviolet rays cutting filter 27 are formed on the opening 28.

[0026]

The light of the lamp 21, infrared rays of which are cut by the thermic ray absorption filter 26, ultraviolet rays of which are cut by the ultraviolet rays cutting filter 27, is radiated to the panel P through the permeable film sheet 23 and light diffusion medium 25. Then, the pressing is released, the excess composition discharged from the discharge port 11 is removed and the discharge port 11 is sealed with ultraviolet setting resin, and so on. Then, the

liquid crystal display element is obtained.

[0027]

According to the method and the apparatus for producing the liquid crystal display element as mentioned above, composition 10 is dropped on the substrate 1, the liquid crystal display element is obtained by dropping composition on the substrate 1, applying sealing material 7, 8 and superposing a pair of substrates, irradiating the substrate with light, and removing the excess composition. Thereby it is possible to produce the liquid crystal display element under the atmospheric pressure or regardless of the shape or wetness of the substrates. Also, The liquid crystal display element is obtained without occurrence of air bubbles after releasing the pressing.

[0028]

<Second embodiment>

The second embodiment in accordance with present invention is explained with reference to the Fig. 4. Fig. 4 is a cross-sectional view of a liquid crystal display element under manufacturing process. In Fig.4, the reference numerals 41, 42 indicates a pair of substrates formed in rectangular, and the substrate 42 is at least composed of transparent materials. Transparent electrodes 43, 44 are formed on the opposite faces of the two substrates 41, 42. And, insulating layers 45, 46 are formed on the transparent

electrodes 43, 44. Sealing materials 39, 40 are applied around the opposite face of each of the substrates 41, 42. Also, a spacer 47 is fixed and arranged on the opposite surface of the substrate 41. Composition 48 of a liquid crystal material and a photopolymerizable resin material is dropped on almost center of the substrate 41, and a pair of the substrates 41 and 42 is superposed on each other.

[0029]

The liquid crystal display element is obtained by combining the panel P' constructed as above with the liquid crystal display element shown in Figs. 2 and 3, and by irradiating with light. The same effect as the first embodiment is obtained in the method and the apparatus for producing the liquid crystal display element. Also, it is possible to superposing the glass substrates 41, 42 without applying sealing material. In this case, a predetermined gap is formed between the glass substrates 41, 42 because the spacer 47 is fixed and arranged. The composition 48 is hardened by light irradiation, and the excess composition discharged by pressing is removed. Then, the liquid crystal display element is obtained. It is desirable that the dropping position of the composition 45 is around the center of the glass substrate 41, and the shape of the glass substrates 41, 42 is not limited to the rectangular.

[0030]

<Third embodiment>

The third embodiment in accordance with present invention is explained with reference to the Fig. 5. In Fig.5, the reference numerals 51, 52 indicate thermostats which are capable of moving up and down, and are arranged up and down. Absorption parts 52, 53 interconnected to the vacuum pump in the part corresponding the 4 corner parts of the substrate so as to perform vacuum absorption of the substrates 60, 61 is formed in the thermostats 50, 51. The surface contact with the substrates 60, 61 is treated through light diffusion process. It has the function to control the temperatures of the substrate 60, 61 by circulating the fluid with repeating blowing and discharging the fluid from the outside using the circulation pump. Both the substrates 61, 62 are absorbed to the thermostat 50, 51, and the thermostats 50, 51 are controlled so as to hold a predetermined temperature of the substrates 60, 61. Also, each of the substrates 60, 61 has translucency, transparent electrodes are formed in the opposite surfaces, and a spacer is fixed and arranged in one of the opposite surfaces.

[0031]

And, the composition is dropped on the substrate 60 from the dropping nozzle 54 excessively, the thermostat 51 is moved down with adjusting the position by the position adjusting means 55, the substrates 60, 61 are superposed

precisely, and pressing is performed so as to generate a predetermined gap between the substrates 60, 61. In this state, the light of the lamp 57, 58 treated through the same process as the embodiment 1 up and down is radiated. Then, the absorption of the substrates 60, 61 is released, the thermostat 51 is made to move up, and take out the liquid crystal display element.

[0032]

According to the method and the apparatus for producing the liquid crystal display element as mentioned above, the liquid crystal display element is obtained by dropping the composition on the substrate 60 from the dropping nozzle 54, moving down the thermostat 51, superposing the substrates 60, 61, and irradiating with light. Thereby it is possible to produce the liquid crystal display element under the atmospheric pressure or regardless of the shape or wetness of the substrates. Also, it is possible to produce the uniform high polymer dispersion type liquid crystal display element rapidly without the occurrence of unequalness and air bubble generated by blowing. Also, it is possible to obtain the liquid crystal display element with uniform thickness without air bubble after releasing the pressing.

[0033]

[Example]

Examples of the present invention are explained. The

evaluation of the characteristic of the examples is performed as follows. The electrooptical property for performance of the optical modulation in the direction perpendicular to the obtained liquid crystal display element is measured using LCD-5000 (OTSUKA ELECTONICS CO., LTD) under the condition that the frequency is 30 Hz, the light receiving angle is 2.8° , and the temperature is 30°C .

[0034]

$T_0(\%)$ is the light transmittance in the state of maximizing the light shielding when no voltage is applied, $T_{\max}(\%)$ is the light transmittance in the state of the maximum value according to the transition of the voltage. T_0 is set to 0% and T_{\max} is set to 100%. $V_{10}(V_{\text{rms}})$ is the applied voltage of 30 Hz alternating signal when the light transmittance equals to 10%. $V_{90}(V_{\text{rms}})$ is the applied voltage when the light transmittance is 90%. And $\text{CR}(\text{contrast}) = T_{\max}/T_0$ and V_{90}/V_{10} .

[0035]

Also, the evaluation of the voltage holding characteristic (voltage holding rate) HR is performed by applying the pulse of $V_0=5\text{V}$, $60\ \mu\text{s}$ periodically with a period of 30Hz between the upper and lower electrodes of the panel, but not applying between pulses, and monitoring the voltage between the electrodes. The voltage between the electrodes of the panel is varied as time, the voltage holding rate HR

is the ratio of area when there is no voltage variation :
area for the waveform of the voltage between the electrodes.
The temperature was 60°C.

[0036]

<Example 1>

This example corresponding to the first embodiment is explained with reference to Figs. 1 to 3. The transparent electrodes comprised of ITO (Indium Tin Oxide) are formed on each opposite surface of the glass substrates which are substrates 1, 2 in a desired pattern. The insulating film 5, 6 is formed by applying the AL5417 resin, heating for 1 minute at 80°C, and then leaving alone for 30 minutes at 190°C.

[0037]

Sealing materials 7, 8 are applied around the glass substrate 2 by forming the discharge port 11. The sealing materials 7, 8 are made of 98wt% of epoxy ester 3002M (KYOEISHE CHEMICAL Co., LTD) and 2wt% of 1173 (DaroKyua) which has the coefficient of viscosity of 30000 cps at 20°C, and comprises about 0.3wt% spacer of 10 μm ball, B-10μ .

[0038]

The spacer 9 is fixed and arranged on the glass substrate 1. Ball AB-4-10 μ is scattered, leaved alone for 2 hours at 140°C, and fixed to form spacer 9. Therefore, running down of the spacer 9 is prevented by the dropped

composition. The composition 10 more than the required amount is dropped on the opposite side of the discharge port of the glass substrate having the spacer 9. The composition is mixture of the liquid crystal material and the photopolymerable resin material. TL213 (N-I point=87.7°C, $n_e=1.766$, $n_o=1.527$) (Merck·Japan) 77.08wt% is used as the liquid crystal material. The photopolymerable resin material is comprised of 2-ethyl hexyl acrylate 21.5wt% as monomer material, Biscot #3700(Osaka Organic Chemical Industry LTD.) 1.30wt% as oligomer material, Darokyua 1173(Merck) 0.07wt% as optical setting material, Lucirin TPO (BASF) 0.05wt%.

[0039]

The panel P where the glass substrates 1, 2 are superposed so that the transparent electrodes 3, 4 are faced each other is fixed to the panel fixing jig of the apparatus for producing the liquid crystal display element shown in Figs. 2, 3, via the buffing material 24. The light diffusion material 25 comprised of opal type diffusion plate DF0-150s-1 (SIGMA KOKI CO., LTD) is superposed on the glass substrate 2 of the light radiation side of the panel by interposing the ethylene glycol. Also, the panel mounting surface is interposed between the panel fixing jig 20 holding the temperature of 25°C and the transparent film sheet 23, and is pressed.

[0040]

The panel P is leaved alone for 30 seconds in the state that a predetermined gag is generated between the glass substrates 1, 2. Then, the glass substrate 2 is irradiated with light using the ultra high pressure mercury lamp CHM-3000 21 in the state of being pressed. Glass thermic ray absorption filter HAF-50S-30H is mounted between the lamp 21 and the panel P. The transmittance of infrared rays is made about 0%. Glass ultraviolet rays cutting filter UV-35 (Toshiba) is mounted between the glass thermic ray absorption filter and the panel P to prevent light having the wavelength smaller than nm from being transmitted. Then, the panel P is irradiated for 3 minutes with light having the intensity of ultraviolet ray of $13\text{mW}/\text{cm}^2$ around the wavelength of 360nm.

[0041]

Then, the pressing is released, the excess composition material discharged from the discharge port 11 of the panel P is washed, and the discharge port 11 is sealed with ultraviolet setting resin. The evaluation of the characteristics of the liquid crystal display element obtained as above is shown in the field of example 1 of the table 1. According to this example, it is possible to obtain the liquid crystal display element of uniform and high quality by preventing non-uniformness of the gap between the glass substrates 1, 2 and air bubbles. Also, the sealing

material 7, 8 are also hardened when hardening the composition by light radiation because sealing material is comprised of photopolymerizable resin material. Thereby it is possible to reduce the number of processes. Referring to the table 1, the holding rate HR is 96.8%.

[0042]

The intensity of the ultraviolet ray is not limited to the intensity shown in the examples. When the intensity of the ultraviolet ray is $3\text{mW}/\text{cm}^2 \sim 160\text{mW}/\text{cm}^2$, the characteristics same as the present invention is obtained. It is desirable that the light having the wavelength of 1000nm or above and the wavelength of 300nm or below is 1% or below among the light radiated to the glass substrate 2. Also, the thickness of the cell of the element is not limited to the $10\ \mu\text{m}$. The temperature of the substrate is not limited to 25°C . When the temperature of the substrate is not controlled at a predetermined temperature, it is not easy to produce the same element because the reproducibility is bad.

[0043]

<Comparative example 1>

A comparative example relative to the example 1 is shown. The liquid crystal display element is obtained by using the glass substrates 1, 2 of the example 1 which has no insulating film 5, 6. The evaluation of the characteristics of the liquid crystal display element

obtained as above is shown in the field of the comparative example 1 of the table 1. Referring to the table 1, the holding rate HR is 86.8%.

[0044]

<Comparative example 2>

Another comparative example relative to the example 1 is shown. The liquid crystal display element is obtained by performing light radiation without the ultraviolet ray cutting filter 27. The evaluation of the characteristics of the liquid crystal display element obtained as above is shown in the field of the comparative example 2 of the table 1. The electrooptical property has rolling slope, the holding rate HR is 92.7%.

[0045]

<Example 2>

This example corresponds to the first embodiment. XN-21-S (Mitsui Chemical) which is thermosetting resin is used as sealing materials 7, 8 in this example. Similarly to the example 1, insulating film 5, 6 are formed in the glass substrate 1, 2. Then, XN-21-S including ball B-10.0 μ which is about 0.3wt% spacer is applied around the glass substrates 2 so as to form the composition discharge port. The applied substrate 2 is heated for 20 minutes at 90°C. The substrate 1 on which a spacer 9 fixed is prepared until the end of heating in the same manner of example 1. The

processes after this are same as example 1. After light radiation, the display element is leaved alone in the thermostat for 2 hours at 150°C. The evaluation of the characteristics of the liquid crystal display element obtained as above is shown in the field of the example 2 of the table 1. Referring to the table 1, the holding rate HR is 96.4%.

[0046]

	Example 1	Comparative Example 1	Comparative Example 2	Example 2
T ₀ (%)	0.09	0.11	0.09	0.10
T _{max} (%)	81.8	81.4	80.9	81.6
V ₁₀ (V)	4.2	4.0	3.8	4.2
V ₉₀ (V)	5.8	5.5	5.7	5.9
CR	909	740	1.98899	816
V ₉₀ /V ₁₀	1.36	1.98	1.50	1.40
HR	96.8	86.6	92.7	96.4

[0047]

<Example 3>

This example corresponds to the second embodiment. As shown in Fig. 4, each glass substrate is rectangular, and the sealing material 39, 40 applied around the opposite surfaces of the glass substrates 41, 42 are also rectangular. The composition discharge ports 37, 38 are formed at center portion of the sealing material 39, 40 of each side. Also, the composition discharge ports (not shown) are shown in the 4 corner portions of the glass substrates 41, 42. The composition 48 is dropped on the center portion of the glass

substrate 41. The others are same as example 1. The evaluation of the characteristics of the liquid crystal display element obtained as above is shown in the field of the example 3 of the table 2.

[0048]

According to this example, occurrence of the air bubbles is prevented more effectively than example 1, thereby more reproducible liquid crystal display element can be obtained, and yield is enhanced. Referring to the table 2, the holding rate HR is 97.0%.

<Example 4>

This example corresponds to the second embodiment.

[0049]

In this example, sealing material is also formed on inner side of 1mm relative to the portion where sealing material of each side is formed in the example 3, and the sealing material is two-fold. The others are same as example 3. The evaluation of the characteristics of the liquid crystal display element obtained as above is shown in the field of the example 4 of the table 2. According to this example, position deviation generated when superposing the glass substrates 41, 42 is prevented, thereby it is possible to obtain the liquid crystal display element with good reproducibility. Referring to the table 2, the holding rate HR is 95.9%. The sealing material of two-fold structure can

be applied to the example 1.

[0050]

<Fifth example>

The fifth example is another example corresponding to the second embodiment. Contrary to the third example, a light diffusion medium is not installed on the substrate on which light is irradiated and a light diffusion film sheet is used instead of a light permeable film sheet in the fifth example. Except for that, a LIQUID CRYSTAL DISPLAY element according to the fifth example is manufactured by using same method according to the third example.

[0051]

When setting a panel P' into a device of manufacturing a LIQUID CRYSTAL DISPLAY element, according to the fifth example, implementing a light diffusion medium is eased. In addition, it is recognized from table 2 that holding rate HR is excellent since holding rate HR is 95.2%. The fifth example is applicable to the first example.

<Sixth example>

The sixth example is corresponding to the third embodiment.

[0052]

In figure 5, surfaces of the thermostats 50 and 51 coming contact with the substrates 60 and 61 are consist of quartz, glass and resin and so forth which pass through

light diffusion process. The sixth example uses a quartz thermostat. At least, the thermostat 51 is capable of going up and coming down. Also, water, for example, is used as a fluid in the thermostats 50 and 51 circulated by a circulating pump. The substrates 60 and 61 passed by the insulating film forming process and spacer fixing as explained in the other examples are absorbed into the thermostats 50, 51. The thermostats 50 and 51 are controlled so that temperature of the substrates 60 and 61 is 25°C by circulation of water. With respect to the substrate 60, composites same as the above examples are dropped from the dropping nozzle 54.

[0053]

A charge coupled device(CCD) or a magnifier is used as the position adjusting means 55. CCD is used in the sixth example. As CCD, for example, CCD system made by Matsushita Electric Industrial Co. can be used. While monitoring piling position of the substrates 60 and 61 with the TV monitor 56, the substrates 60 is piled up on the substrate 61 with going down the thermostat 50. Also, the substrates 60 and 61 are pressed so that distance between the substrates 60 and 61 is to be a predetermined value. In such a state, a light processed same as the first example irradiated from upper and lower directions through the thermostats 50 and 51. After irradiating light, absorption of the substrates 60 and

61 is released and a LIQUID CRYSTAL DISPLAY element is pulled out by going up the thermostat 51. Characteristics of the obtained LIQUID CRYSTAL DISPLAY element are shown in the fields of the sixth example of Table 2.

[0054]

According to the sixth example, manufacturing processes are reduced since the LIQUID CRYSTAL DISPLAY element does not have a sealing part. Also, manufacturing LIQUID CRYSTAL DISPLAY elements without stains and bubbles is achieved. It is recognized from Table 2 that holding rate HR is excellent since holding rate HR is 97.1%.

[0055]

[Table 2]

	Example 3	Example 4	Example 5	Example 6
T_0 (%)	0.09	0.09	0.13	0.08
T_{\max} (%)	81.9	81.7	81.8	80.9
V_{10} (V)	4.2	4.3	4.2	4.3
V_{90} (V)	5.8	5.9	5.9	5.5
CR	910	908	629	1011
V_{90}/V_{10}	1.38	1.87	95.2	1.28
HR	97.0	95.9	95.2	97.1

[0056]

<Seventh example>

Contrary to the sixth example, the seventh example is

characterized in pressing slowly the piled substrates 60 and 61 with heating in 40°C, lowering temperature to 25°C(initial temperature) when bubbles are eliminated and irradiating light. According to the seventh example, LIQUID CRYSTAL DISPLAY elements without bubbles are manufactured. In addition, there are no changes in characteristics comparing to the sixth example. The seventh example is applicable to the first and second examples.

[0057]

<Eighth example>

Contrary to the sixth example, in the eighth example, diffusion of composites is prohibited by making temperature of the substrates to be 15°C when dropping composites and piling up the substrates. From the beginning of pressing the substrates, temperature is raised up to 25°C and maintained. If 25°C is maintained, light is irradiated. According to the eighth example, liquid crystal display elements without bubbles are manufactured.

[0058]

It is not necessary to limit composites to composites used in each example. Same result can be obtained if composites below are used.

① composite obtained by mixing 3.0wt% of 2-ethyl hexyl archrilate(Nakaraitask Co.), 9.0wt% of 2-hydroxy ethyl archrilate(Nakaraitask Co.) and 2.48wt% of neopentyl glycol di-archrilate, KAYARAD MANDA(Japan Gunpoeder Co.) as a

monomer, 5.36wt% of EO denaturalization bisphenol di-archrilate KAYARAD R-551(Japan Gunpoeder Co.) as an olygomer, photopolymerizable material consisting of 0.16wt% of benzyl di-methyl catal, IRUGAKUA 651(Japan Tshibakaiki Co.) as a optical-setting starting material, 80.0wt% of a chlorinic liquid crystal TL205[N-I point=87°C, $n_e=1.744$, $n_o=1.527$](Merk-Japan Co.) as a liquid crystal material.

[0059]

② composite obtained by mixing 17.55wt% of 2-ethyl hexyl archrilate(Nakaraitask Co.), 0.44wt% of acryl-acid 4-hydroxy butyl Acryester 4HBA (Mitsubishi rayon Co.), 0.20wt% of metacryl-acid 2-sacsinoloil oxy ethyl Acryester SA(Mitsubishi rayon Co.) and 1.11wt% of KAYARAD PGDA(Japan Gunpowder Co.) as a prepolymer, photopolymerizable material consisting of 0.2wt% of 2-hydroxi-2-methyl-1-phenyl propane-1-onin darokua(Merk Co.) as a optical-setting starting material, 80.5wt% of TL205[N-I point=87°C, $n_e=1.744$, $n_o=1.527$](Merk-Japan Co.) as a liquid crystal material.

[0060]

③ Same as the composite of ②, same prepolymer component and same component ratio of the prepolymer is used. However, a liquid crystal material is changed from TL205 into TL213. When the ratio of liquid crystal material is changed into 77wt%, characteristics are improved.

④ 21.5wt% of 2-ethyl hexyl archrilate(Nakaraitask Co.)

as a monomer, 1.33wt% of Wiskott #3700 (Osaka Organic Chemistry Co.) as an oligomer, 0.1wt% of IRUGAKUA 1700 (Japan Tshibakaiki Co.) as an optical-setting starting material, TL213 as a liquid crystal material are used. In this case, a driving voltage can be reduced comparing in the examples.

[0061]

Not limited to the sealing materials shown in the examples, same result is obtained when using sealing materials such as a material with viscosity 20°C and about 100,000 cps which is made by including 2wt% of Darokua 1173 (Merk Co.) into epoxy ester 300A (Kyoisha Cream Chemistry Co.), a material with viscosity 20°C and about 140,000 cps which is made by including M-1200 (Dong-A Synthetic Chemistry Co.) into 2wt% of Darokua (Merk Co.) or Aronics UV-3033 (Dong-A Synthetic Chemistry Co.) with viscosity 20°C and about 25,000 cps. However, if sealing materials with viscosity 20°C and cps less than 20,000 are used, reproducibility is reduced since it is easy that discordance of position of substrates takes place in case of piling the substrates. From the above, if sealing materials with viscosity 20°C and cps more than 20,000 are used, it is possible that the substrates are putted together on desired position.

[0062]

With respect to UV lamps, it is not necessary to limit

to UV lamps used in each example. If very high pressure mercury lamp IML-3000 (Oak manufacturing Co.) is used, a rapid element is obtained as V_{90}/V_{10} becomes lower. Furthermore, if UVL-6000-0 made by Usio electric Co. is used, same result as that of the examples is obtained. Also, the peripheral portion of the liquid crystal display element may be sealed with high polymer resin. The element is masked so as not to be irradiated with ultraviolet ray, UV resin is applied around the panel, and thereby the composition is sealed. For example, Roktair 352A is hardened by the radiation of 90 seconds and UV (350nm) 55mW/cm². As a result, the electrooptical characteristic is barely changed, but the lifetime is extended.

[0063]

According to the method of producing liquid crystal display element in accordance with Claim 1, the liquid crystal display element is obtained by dropping composition of a liquid crystal material and a photopolymerizable resin material on one of a pair of substrates at least one of which has translucency, superposing a pair of substrates without sealing part, and irradiating the substrate having translucency with light. Thereby it is possible to produce the liquid crystal display element under the atmospheric pressure or regardless of the shape or wetness of the substrates. Also, because sealing portion is not needed, it

is possible to make manufacturing process simple. Thereby, it is possible to produce the liquid crystal display element under the atmospheric pressure or regardless of the shape or wetness of the substrates. Also, the liquid crystal display element is obtained without occurrence of air bubbles after releasing the pressing. Also, because sealing portion is not needed, it is possible to make manufacturing process simple.

[0064]

According to the methods of producing liquid crystal display element in accordance with Claims 2-5, the liquid crystal display element is obtained by dropping composition of a liquid crystal material and a photopolymerizable resin material on one of a pair of substrates at least one of which has translucency, superposing a pair of substrates without sealing part, and irradiating the substrate having translucency with light. Thereby it is possible to produce the liquid crystal display element under the atmospheric pressure or regardless of the shape or wetness of the substrates. Thereby, it is possible to produce the liquid crystal display element under the atmospheric pressure or regardless of the shape or wetness of the substrates. Also, the liquid crystal display element is obtained without occurrence of air bubbles after releasing the pressing.

[0065]

According to the method of producing liquid crystal

display element in accordance with Claim 3, the sealing material is also harden when hardening the composition by light radiation because sealing material is comprised of photopolymerizable resin material. Thereby it is possible to reduce the number of processes. According to the method of producing liquid crystal display element in accordance with Claim 6, the position deviation of the substrates is minimized by making the sealing material two-fold.

[0066]

According to the method of producing liquid crystal display element in accordance with Claim 7, the liquid crystal display element is obtained by dropping composition of a liquid crystal material and a photopolymerizable resin material on one of a pair of substrates at least one of which has translucency, superposing a pair of substrates with adjusting the positions of a pair of substrates by the position adjusting means, and irradiating the substrate having translucency with light. Thereby it is possible to produce the liquid crystal display element under the atmospheric pressure or regardless of the shape or wetness of the substrates. Thereby, it is possible to produce the liquid crystal display element under the atmospheric pressure or regardless of the shape or wetness of the substrates. Also, the liquid crystal display element is obtained without occurrence of air bubbles after releasing

the pressing.

[0067]

According to the method of producing liquid crystal display element in accordance with Claim 8, it is possible to eliminate air bubbles by heating when pressing a pair of substrates. Thereby, the liquid crystal display element without air bubbles can be obtained. According to the method of producing liquid crystal display element in accordance with Claim 9, it is possible to produce the liquid crystal display element under the atmospheric pressure or regardless of the shape or wetness of the substrates by irradiating the substrates with light mentioned above. Thereby, it is possible to produce the liquid crystal display element under the atmospheric pressure or regardless of the shape or wetness of the substrates.

[0068]

According to the methods of producing liquid crystal display element in accordance with Claim 10, 11, the liquid crystal display element is obtained by dropping composition of a liquid crystal material and a photopolymerizable resin material on one of a pair of substrates at least one of which has translucency, applying sealing material and superposing a pair of substrates, and irradiating the substrate having translucency with light. Thereby it is possible to produce the liquid crystal display element under

the atmospheric pressure or regardless of the shape or wetness of the substrates. Thereby, it is possible to produce the liquid crystal display element under the atmospheric pressure or regardless of the shape or wetness of the substrates. Also, the liquid crystal display element is obtained without occurrence of air bubbles after releasing the pressing.

[0069]

According to the apparatus for producing liquid crystal display element in accordance with Claim 12, the liquid crystal display element is obtained by dropping composition on the substrate absorbed on the downstream thermostat of a pair of substrates, superposing a pair of substrates with adjusting the superposing position by moving the thermostat by the position adjusting mean, and irradiating the substrate. Thereby it is possible to produce the liquid crystal display element under the atmospheric pressure or regardless of the shape or wetness of the substrates. Thereby, it is possible to produce the liquid crystal display element under the atmospheric pressure or regardless of the shape or wetness of the substrates. Also, the liquid crystal display element is obtained without occurrence of air bubbles after releasing the pressing.

[0070]

As a result, when using the liquid crystal display

element as a display element, it is possible to obtain high performance of display by driving the active matrix through the combination with TFT. Also, it is possible to produce a projection type display with high quality.

[Brief Description of the Drawings]

[Fig. 1]

Fig. 1 is a cross-sectional view of a process for producing a liquid crystal display element according to the first embodiment of the present invention.

[Fig. 2]

Fig. 2 is a perspective view of an apparatus for producing a liquid crystal display element according to the first embodiment of the present invention.

[Fig. 3]

Fig. 3 is an extended partial perspective view of an apparatus for producing a liquid crystal display element according to the first embodiment of the present invention.

[Fig. 4]

Fig. 4 is a cross-sectional view of a process for producing a liquid crystal display element according to the second embodiment of the present invention.

[Fig. 5]

Fig. 5 is a perspective view of an apparatus for producing a liquid crystal display element according to the third embodiment of the present invention.

[Fig. 6]

Fig. 6 is a view showing the measured waveform of the voltage holding rate for evaluating characteristics of the liquid crystal display element.

[Reference Numerals]

- 1, 2, 41, 42, 60, 61: substrate
- 7, 8, 39, 40: sealing material
- 10, 48: composition
- 11, 37, 38: discharge port
- P, P': panel
- 20: panel fixing jig
- 21, 57, 58: lamp
- 23: optical transparent film sheet
- 24: buffing material
- 25: light diffusion medium
- 50, 51: thermostat
- 54: nozzle
- 55: CCD (position adjusting mean)

(19)日本国特許庁 (J P)

(12)公開特許公報 (A)

(11)特許出願公開番号

特開平9-73075

(43)公開日 平成9年(1997)3月18日

(51)Int. Cl. ⁶	識別記号	F I
G02F 1/1333	500	G02F 1/1333 500
1/1339	500	1/1339 500
	505	505

審査請求 未請求 請求項の数12 O L (全11頁)

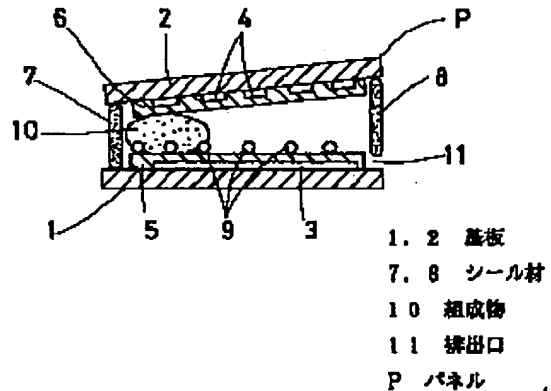
(21)出願番号	特願平7-227998	(71)出願人	000005821 松下電器産業株式会社 大阪府門真市大字門真1006番地
(22)出願日	平成7年(1995)9月5日	(72)発明者	中島 潤二 大阪府門真市大字門真1006番地 松下電器 産業株式会社内
		(72)発明者	井上 一生 大阪府門真市大字門真1006番地 松下電器 産業株式会社内
		(74)代理人	弁理士 宮井 暎夫

(54)【発明の名称】液晶表示素子の製造方法および液晶表示素子の製造装置

(57)【要約】

【課題】 ムラや気泡が発生することなく、高分子分散型液晶表示素子を迅速かつ再現良く製造できる。

【解決手段】 少なくとも一方が透光性を有した一对の基板1, 2の対向面に透明電極3, 4を形成し、一对の基板1, 2のいずれか一方に排出口11を設けた状態でシール材7, 8を塗布し、一对の基板1, 2のうち少なくとも一方の対向面にスペーサ9を固着配置し、一对の基板1, 2の一方に液晶材料と光重合性樹脂材料の組成物10を滴下し、一对の基板1, 2を重ね合わせ、組成物10が一对の基板1, 2間全体に拡散するように基板1, 2を押圧した状態で透光性を有した基板2に光を照射して組成物10の液晶と樹脂を相分離し、排出口11から排出された余分な組成物を除去し、排出口11を封止するものである。



【特許請求の範囲】

【請求項1】 少なくとも一方が透光性を有した一对の基板のうち少なくとも一方の対向面にスペーサを固着配置する工程と、前記一对の基板の一方に液晶材料と光重合性樹脂材料の組成物を滴下する工程と、前記一对の基板をシール部を設けずに重ね合わせる工程と、前記組成物が前記一对の基板間全体に拡散するように前記基板を押圧した状態で前記透光性を有した基板側から光を照射して前記組成物の液晶と樹脂を相分離させる工程とを含む液晶表示素子の製造方法。

【請求項2】 少なくとも一方が透光性を有した一对の基板のいずれか一方に排出口を設けた状態でシール材を塗布する工程と、前記一对の基板のうち少なくとも一方の対向面にスペーサを固着配置する工程と、前記一对の基板の一方に液晶材料と光重合性樹脂材料の組成物を滴下する工程と、前記一对の基板を重ね合わせる工程と、前記組成物が前記一对の基板間全体に拡散するように前記基板を押圧した状態で前記透光性を有した基板側から光を照射して前記組成物の液晶と樹脂を相分離させる工程とを含む液晶表示素子の製造方法。

【請求項3】 シール材が光重合性樹脂材料からなることを特徴とする請求項2記載の液晶表示素子の製造方法。

【請求項4】 一对の基板の対向面の周辺に排出口を設けた状態でシール材を塗布し、前記シール材に形成した排出口と反対側において前記一对の基板の一方に組成物を滴下することを特徴とする請求項2または3記載の液晶表示素子の製造方法。

【請求項5】 矩形の一对の基板の対向面の各周辺にシール材を塗布し、各辺のシール材にそれぞれ排出口を設け、前記一对の基板の一方の略中央に組成物を滴下することを特徴とする請求項2または3記載の液晶表示素子の製造方法。

【請求項6】 シール材が2重に施されていることを特徴とする請求項2, 3, 4または5記載の液晶表示素子の製造方法。

【請求項7】 少なくとも一方が透光性を有した一对の基板のうち少なくとも一方の対向面にスペーサを固着配置する工程と、前記一对の基板の一方に液晶材料と光重合性樹脂材料の組成物を滴下する工程と、位置調整手段により前記一对の基板を位置調整しながら重ね合わせる工程と、前記組成物が前記一对の基板間全体に拡散するように前記基板を押圧した状態で前記透光性を有した基板側から光を照射して前記組成物の液晶と樹脂を相分離させる工程とを含む液晶表示素子の製造方法。

【請求項8】 基板の押圧工程で基板を加熱し、初期温度に戻した後光照射を行うことを特徴とする請求項1, 2, 3, 4, 5, 6または7記載の液晶表示素子の製造方法。

【請求項9】 基板に照射される光が、1000nm以

上の波長光と330nm以下の波長光が、照射光量の1%以下の量であることを特徴とする請求項1, 2, 3, 4, 5, 6, 7または8記載の液晶表示素子の製造方法。

【請求項10】 少なくとも一方が透光性を有した一对の基板のいずれか一方に排出口を設けた状態でシール材を塗布し、前記一对の基板のうち少なくとも一方の対向面にスペーサを固着配置し、前記一对の基板の一方に液晶材料と光重合性樹脂材料の組成物を滴下し、前記一对の基板を重ね合わせてなるパネルに、透光性基板側から光を照射して液晶表示素子を製造する製造装置であって、

前記パネルを緩衝材を介して固定するパネル固定治具と、前記パネルの透光性基板上に設置した光拡散媒体と、この光拡散媒体を介して前記パネルを押圧する光透過性フィルムと、この光透過性フィルムならびに前記光拡散媒体を介して前記透光性基板側から光を照射するランプとを備えた液晶表示素子の製造装置。

【請求項11】 パネルの透光性基板上に光拡散媒体を設置せず、かつ光透過性フィルムに代えて光拡散フィルムを使用した請求項10記載の液晶表示素子の製造装置。

【請求項12】 光拡散処理を施した対向面にそれぞれ基板を吸着固定する吸着部を有しかつ少なくとも一方を昇降可能とした上下一対の恒温槽と、この恒温槽に接続され恒温槽内に流体を循環させることにより前記基板温度を一定に保つ循環ポンプと、前記下側の恒温槽に吸着された基板上に液晶材料と光重合性樹脂材料の組成物を滴下するノズルと、前記恒温槽の外面側に設けたランプと、前記恒温槽の外面側に設けられ前記一对の基板の重ね合わせ位置を調整する位置調整手段とを備えた液晶表示素子の製造装置。

【発明の詳細な説明】

【0001】

【発明の属する技術分野】この発明は、ディスプレイ、光シャッター、プロジェクションテレビ等に利用される液晶表示素子の製造方法および液晶表示素子の製造装置に関するものである。

【0002】

【従来の技術】近年、液晶表示素子の中でも、配向処理を要さないため製造が容易なこと、偏光板を要さないため明るい表示が可能なることを利点とする高分子・液晶複合体を使った高分子分散型液晶素子が、ディスプレイとして着目されてきている。一般に、高分子分散型液晶素子とは、液晶を高分子材料組成物からなるマトリックス中に分散保持された液晶高分子複合体を、一对の電極付基板間に挟み込んだものであり、液晶の常光屈折率と高分子マトリックスの屈折率がほぼ一致するように構成されたものである。

【0003】すなわち、電圧無印加の状態では液晶は、前

記高分子マトリックスとの界面付近で、界面に対して略平行に配向している。この状態で基板に垂直な光が入射すると、高分子マトリックスの屈折率と液晶の屈折率とが異なった状態となるため、界面にて光が散乱する。基板間に電圧を印加すると、正の誘電異方性を有すネマティック液晶の場合、液晶分子が電極面に対して略垂直に整列し、入射光に対し、高分子マトリックスの屈折率と液晶の常光屈折率とがほぼ一致するため、光が散乱されることなく透過する状態となる。この性質を利用して、光シャッター機能が可能となっている。

【0004】従来、液晶表示素子の製造方法には、一般的に以下に示す方法がある。一对の電極面を対向させた電極付基板に、スペーサを介し、基板の隙間を一定とし、注入口部1か所を設けて、基板周辺にスペーサを含ませたシール材を形成し、加圧し、均一セル厚とし、シール材を硬化させる。このようにして得られた一对のガラス基板よりなる空セルの隙間に、液晶材料を注入するのであるが、その方法として下記の例が挙げられる。

【0005】まず、真空ポンプを用いて、真空チェンバ内で空セルを十分に減圧し、注入口を液晶材料に浸す。その後、真空チェンバ内を大気圧に戻し、気圧差により液晶材料を充填し、注入口を樹脂で封口するという真空注入法がある。また、別の方法としては、空セル作りの際、注入口と反対側(対辺側)に排出口を設けて空セルとする。そして、この空セルに対し、注入口側に液晶材料を浸し、毛細管現象を利用して空セル内に液晶材料を充填し、注入口と排出口を樹脂で封口するという毛細管現象を利用する方法がある。

【0006】

【発明が解決しようとする課題】しかし、従来から行われている製造方法(真空注入法、毛細管現象を利用する方法)には、幾つかの問題が存在する。まず、真空注入法の場合、高分子分散型液晶表示素子の製造では揮発性材料であるモノマーを使用するため、空セルを高真空とすることによって組成物も同時に減圧状態にさらされ、モノマーが揮発してしまうことがあり、製造が困難となる。

【0007】また、毛細管現象を利用する製造方法では、基板の形状や濡れ性等の影響を受け、ムラとなり易く、回り込み等で気泡として残る部分が発生したり、完全に表示部全体に再現良く注入することが困難で、注入に時間がかかることが挙げられる。したがって、この発明は、ムラや気泡が発生することなく、高分子分散型液晶表示素子を迅速かつ再現良く製造できる液晶表示素子の製造方法および液晶表示素子の製造装置を提供することを目的とする。

【0008】

【課題を解決するための手段】請求項1の液晶表示素子の製造方法は、少なくとも一方が透光性を有した一对の基板のうち少なくとも一方の対向面にスペーサを固着配

置する工程と、一对の基板の一方に液晶材料と光重合性樹脂材料の組成物を滴下する工程と、一对の基板をシール部を設けずに重ね合わせる工程と、組成物が一对の基板間全体に拡散するように基板を押圧した状態で透光性を有した基板側から光を照射して組成物の液晶と樹脂を相分離させる工程とを含むものである。

【0009】請求項1の液晶表示素子の製造方法によると、少なくとも一方が透光性を有した一对の基板の一方に、液晶材料と光重合性樹脂材料の組成物を滴下して重ね合わせ、透光性を有した基板側から光を照射することにより、液晶表示素子が得られ、常圧下で、かつ基板の形状や濡れ性の影響を受けずに製造できる。また、シール部がなく、製造工程を削減できる。

【0010】請求項2の液晶表示素子の製造方法は、少なくとも一方が透光性を有した一对の基板のいずれか一方に排出口を設けた状態でシール材を塗布する工程と、一对の基板のうち少なくとも一方の対向面にスペーサを固着配置する工程と、一对の基板の一方に液晶材料と光重合性樹脂材料の組成物を滴下する工程と、一对の基板を重ね合わせる工程と、組成物が一对の基板間全体に拡散するように基板を押圧した状態で透光性を有した基板側から光を照射して組成物の液晶と樹脂を相分離させる工程とを含むものである。

【0011】請求項3の液晶表示素子の製造方法は、請求項2において、シール材が光重合性樹脂材料からなることを特徴とするものである。請求項4の液晶表示素子の製造方法は、請求項2または3において、一对の基板の対向面の周辺に排出口を設けた状態でシール材を塗布し、シール材に形成した排出口と反対側において一对の基板の一方に組成物を滴下することを特徴とするものである。

【0012】請求項5の液晶表示素子の製造方法は、請求項2または3において、矩形の一对の基板の対向面の各周辺にシール材を塗布し、各辺のシール材にそれぞれ排出口を設け、一对の基板の一方の略中央に組成物を滴下することを特徴とするものである。請求項2～5の液晶表示素子の製造方法によると、少なくとも一方が透光性を有した一对の基板の一方に、液晶材料と光重合性樹脂材料の組成物を滴下し、シール材を塗布して重ね合わせ、透光性を有した基板側から光を照射することにより、液晶表示素子が得られ、常圧下で、かつ基板の形状や濡れ性の影響を受けずに製造できる。

【0013】請求項3の液晶表示素子の製造方法によると、シール材が光重合性樹脂材料からなるので、光照射により、組成物を硬化する際に、シール材も同時に硬化することができ、工程数を削減できる。請求項6の液晶表示素子の製造方法は、請求項2, 3, 4または5において、シール材が2重に施されていることを特徴とするものである。

【0014】請求項6の液晶表示素子の製造方法による

と、シール材を2重に施すことで、一对の基板の位置ずれを小さくすることができる。請求項7の液晶表示素子の製造方法は、少なくとも一方が透光性を有した一对の基板のうち少なくとも一方の対向面にスペーサを固着配置する工程と、一对の基板の一方に液晶材料と光重合性樹脂材料の組成物を滴下する工程と、位置調整手段により一对の基板を位置調整しながら重ね合わせる工程と、組成物が一对の基板間全体に拡散するように基板を押圧した状態で透光性を有した基板側から光を照射して組成物の液晶と樹脂を相分離させる工程とを含むものである。

【0015】請求項7の液晶表示素子の製造方法によると、少なくとも一方が透光性を有した一对の基板の一方に、液晶材料と光重合性樹脂材料の組成物を滴下し、位置調整手段により一对の基板を位置調整しながら重ね合わせ、透光性を有した基板側から光を照射することにより、液晶表示素子が得られ、常圧下で、かつ基板の形状や濡れ性の影響を受けずに製造できる。

【0016】請求項8の液晶表示素子の製造方法は、請求項1, 2, 3, 4, 5, 6または7において、基板の押圧工程で基板を加熱し、初期温度に戻した後光照射を行うことを特徴とするものである。請求項8の液晶表示素子の製造方法によると、基板を押圧する際に加熱することで、気泡を抜くことができ、気泡のない液晶表示素子を得ることができる。

【0017】請求項9の液晶表示素子の製造方法は、請求項1, 2, 3, 4, 5, 6, 7または8において、基板に照射される光が、1000nm以上の波長光と330nm以下の波長光が、照射光量の1%以下の量であることを特徴とするものである。請求項9の液晶表示素子の製造方法によると、透光性を有した基板側から、1000nm以上の波長光と330nm以下の波長光が、照射光量の1%以下の量である光を照射することにより、液晶表示素子が得られ、常圧下で、かつ基板の形状や濡れ性の影響を受けずに製造できる。

【0018】請求項10の液晶表示素子の製造装置は、少なくとも一方が透光性を有した一对の基板のいずれか一方に排出口を設けた状態でシール材を塗布し、一对の基板のうち少なくとも一方の対向面にスペーサを固着配置し、一对の基板の一方に液晶材料と光重合性樹脂材料の組成物を滴下し、一对の基板を重ね合わせてなるパネルに、透光性基板側から光を照射して液晶表示素子を製造する製造装置であって、パネルを緩衝材を介して固定するパネル固定治具と、パネルの透光性基板上に設置した光拡散媒体と、この光拡散媒体を介してパネルを押圧する光透過性フィルムと、この光透過性フィルムならびに光拡散媒体を介して透光性基板側から光を照射するランプとを備えたものである。

【0019】請求項11の液晶表示素子の製造装置は、請求項10において、パネルの透光性基板上に光拡散媒

体を設置せず、かつ光透過性フィルムに代えて光拡散フィルムを使用したものである。請求項10, 11の液晶表示素子の製造装置によると、少なくとも一方が透光性を有した一对の基板の一方に、液晶材料と光重合性樹脂材料の組成物を滴下し、シール材を塗布して重ね合わせ、透光性を有した基板側から光を照射することにより、液晶表示素子が得られ、常圧下で、かつ基板の形状や濡れ性の影響を受けずに製造できる。

【0020】請求項12の液晶表示素子の製造装置は、光拡散処理を施した対向面にそれぞれ基板を吸着固定する吸着部を有しかつ少なくとも一方を昇降可能とした上下一対の恒温槽と、この恒温槽に接続され恒温槽内に流体を循環させることにより基板温度を一定に保つ循環ポンプと、下側の恒温槽に吸着された基板上に液晶材料と光重合性樹脂材料の組成物を滴下するノズルと、恒温槽の外面側に設けたランプと、恒温槽の外面側に設けられ一对の基板の重ね合わせ位置を調整する位置調整手段とを備えたものである。

【0021】請求項12の液晶表示素子の製造装置によると、恒温槽で吸着された一对の基板のうち下側の恒温槽に吸着された基板上にノズルより組成物を滴下し、恒温槽を移動し位置調整手段にて重ね合わせ位置を調整しながら一对の基板を重ね合わせ、さらに光照射することにより、液晶表示素子が得られ、常圧下で、かつ基板の形状や濡れ性の影響を受けずに製造できる。

【0022】

【発明の実施の形態】

第1の実施の形態

この発明の第1の実施の形態について、図1ないし図3に基づいて説明する。図1は、液晶表示素子の製造工程途中の概略断面図である。図において、1, 2は一对の基板であり、少なくとも基板2は透光性材料にて形成されている。また、両基板1, 2の対向面には、透明電極3, 4が形成されており、各透明電極3, 4上には絶縁膜5, 6が形成されている。

【0023】そして、基板2の対向面の周辺にシール材7, 8を塗布する。シール材8には排出口11を形成しておく。また、基板1の対向面にスペーサ9を固着配置する。さらに、排出口11と反対側において基板1に液晶材料と光重合性樹脂材料の組成物10を滴下し、排出口11と反対側において一对の基板1, 2を重ね合わせる。

【0024】このように構成したパネルPを、図2および図3に示す液晶表示素子の製造装置にセットし、光を照射する。図において、20はパネルPを固定するパネル固定治具、21はランプ、22はパネル固定治具20とランプ21の間に設けた天版、23は光透過性フィルムシートである。パネル固定治具20と光透過性フィルムシート23にて、パネルPの基板1, 2間に所定の隙間が生じるように挟み込んで押圧する。

【0025】パネル固定治具20には、緩衝材24が設けられており、この緩衝材24にパネルPを設置し、さらにパネルPの基板2上に光拡散媒体25を設置する。また、天版22にはランプ21の光をパネルPに透過するための開口28が形成されており、その開口28に熱線吸収フィルター26ならびに紫外線カットフィルター27が設置されている。

【0026】ランプ21の光は、熱線吸収フィルター26にて赤外線をカットされ、さらに紫外線カットフィルター27にて紫外線をカットされ、光透過性フィルムシート23および光拡散媒体25を通過してパネルPに照射される。そして、押圧を解除し、パネルPの排出口11から排出された余分な組成物10を拭き取り、排出口11を紫外線硬化性樹脂等で封止する。このようにして、液晶表示素子が得られる。

【0027】このように構成された液晶表示素子の製造方法および液晶表示素子の製造装置によると、基板1に組成物10を滴下し、シール材7、8を塗布して重ね合わせ、光照射した後余分な組成物を除去することにより、液晶表示素子が得られ、常圧下で、かつ基板の形状や濡れ性の影響を受けずに製造できる。したがって、ムラなく、回り込み等による気泡の発生を回避し、短時間で、均一な高分子分散型液晶表示素子を迅速に再現良く製造することができる。また、押圧解除後でも、気泡が混入することもなく、均一なセル厚の液晶表示素子が得られる。

【0028】第2の実施の形態

この発明の第2の実施の形態について、図4に基づいて説明する。図4は、液晶表示素子の製造工程途中の概略断面図である。図において、41、42は矩形に形成された一对の基板であり、少なくとも基板42は透光性材料にて形成されている。また、両基板41、42の対向面には、透明電極43、44が形成されており、各透明電極43、44上には絶縁膜45、46が形成されている。各基板41、42の対向面の周辺部にシール材39、40を塗布し、周囲の各辺のシール材39、40にそれぞれ排出口37、38を形成する。また、基板41の対向面にスペーサ47を固着配置する。さらに、基板41の略中央に液晶材料と光重合性樹脂材料の組成物48を滴下し、一对の基板41、42を重ね合わせる。

【0029】このように構成されたパネルP'を、図2および図3に示した液晶表示素子の製造装置にセットして、光照射を行い液晶表示素子を得る。このように構成された液晶表示素子の製造方法および液晶表示素子の製造装置においても、第1の実施の形態と同様の効果が得られる。なお、シール材を塗布せず、ガラス基板41、42を重ね合わせてもよい。この場合、スペーサ47を固着配置してあるので、ガラス基板41、42間には所定の隙間が形成され、光照射により組成物48を硬化させ、かつ押圧によりはみ出した組成物48を除去す

ることで液晶表示素子が得られる。組成物48を滴下する位置は、ガラス基板41の略中央が好ましく、またガラス基板41、42の形状は矩形に限らない。

【0030】第3の実施の形態

この発明の第3の実施の形態について、図5に基づいて説明する。図において、50、51は上下に配置した昇降可能な恒温槽であり、恒温槽50、51には基板60、61を真空吸着できるように基板四つ角部に相当する部分に真空ポンプと連動した吸着口52、53が設けられている。恒温槽50、51の基板60、61と接する面は、光拡散処理が施されており、また恒温槽50、51に外部から流体を循環ポンプで取り込み排出を繰り返すように循環させることによって、基板60、61の温度を制御できる機能がある。恒温槽50、51に、上下の基板60、61を吸着させ、基板60、61が所定の温度となるように恒温槽50、51を制御する。また、基板60、61は、それぞれ透光性を有し、かつ対向面に透明電極が形成されており、一方の対向面にはスペーサが固着配置してある。

【0031】そして、基板60に対し、組成物を所望過剰に滴下ノズル54より滴下し、位置調整手段55を使って位置を調整しながら恒温槽51を下降し、精度良く基板60、61を重ね合わせ、かつ基板60、61間に所定の隙間がでるように押圧する。その状態で、恒温槽50、51を介して上下方向から実施の形態1と同様の処理（熱線吸収フィルター、紫外線カットフィルター介在）を施したランプ57、58の光を照射する。その後、基板60、61の吸着を解除し、恒温槽51を上昇させ、液晶表示素子を取り出す。

【0032】このように構成された液晶表示素子の製造方法および液晶表示素子の製造装置によると、恒温槽50、51で吸着された一对の基板60、61のうち基板60に滴下ノズル54より組成物を滴下し、恒温槽51を下降して一对の基板60、61を重ね合わせ、さらに光照射することにより、液晶表示素子が得られ、常圧下で、かつ基板の形状や濡れ性の影響を受けずに製造できる。したがって、ムラなく、回り込み等による気泡の発生を回避し、短時間で、均一な高分子分散型液晶表示素子を迅速に再現良く製造することができる。また、押圧解除後でも、気泡が混入することもなく、均一なセル厚の液晶表示素子が得られる。

【0033】

【実施例】この発明の実施例について説明する。なお、各実施例の特性評価は、以下のように行う。得られた液晶表示素子に垂直な方向の光変調性能について、大塚電子製LCD-5000を用い、測定周波数30Hz、受光角2.8°、30℃の条件で電気光学特性を測定した。

【0034】測定結果は、電圧無印加（もしくは無印加）状態の光遮蔽能力を最大限出している状態での光透過率をT。（%）、電圧変化によって最大限光が透過す

る光透過率を T_{90} (%)、 T_0 を0%で T_{100} を100%とした上で、光透過率が10%となる時の30 Hz交流信号の印加電圧を V_{10} ($V_{r,10}$)、同様に光透過率が90%となる印加電圧を V_{90} ($V_{r,90}$)、CR (コントラスト) = T_{90} / T_0 ならびに V_{90} / V_{10} である。

【0035】また、電圧保持特性 (電圧保持率) HRの評価は、パネルの上下電極間に、図6に示すように、 $V_0 = 5$ V、 $60 \mu s$ のパルスを30 Hz周期で加え、パルスとパルスの間は電極間をオープンにして、電極間電圧をモニタした。パネルの電極間電圧は時間とともに変化し、電圧保持率HRは、電圧変化が全く起こらない場合 (矩形部の面積) と、電極間電圧波形の面積 (斜線部) の比で表される。なお、測定温度は60℃とした。

【0036】実施例1

この実施例は、第1の実施の形態に対応するものであって、図1ないし図3を用いて説明する。基板1, 2となるガラス基板の各対向面に、ITO (Indium Tin Oxide) からなる透明電極3, 4を所望のパターンに形成する。絶縁膜5, 6は、日本合成ゴム製AL5417樹脂を塗布し、80℃、1分間加熱後、190℃、30分間放置して形成する。

【0037】ガラス基板2の周辺部に、排出口11を形成してシール材7, 8を塗布する。シール材7, 8としては、エポキシエステル3002M (共栄社油脂化学工業 (株) 製) 9.8wt%と、ダロキュア1173 (メルク社製) 2wt%よりなる20℃における粘度が約3000cpsのものに、約0.3wt%スペーサ10 μm の真し球B-10 μm (触媒化成工業 (株) 製) を含ませたものを使用する。

【0038】ガラス基板1にスペーサ9を固着配置する。スペーサ9として、固着スペーサ真し球AB-4-10 μm (触媒化成工業 (株) 製) を散布し、140℃、2時間放置し、固着させる。これによって、滴下組成物によってスペーサ9が流されてしまうのを防げる。スペーサ9のあるガラス基板1側の排出口11の反対側に、所要量過剰の組成物10を滴下する。組成物10は、液晶材料と光重合性樹脂材料の混合物であって、液晶材料としてはTL213 [N-I point = 87.7℃, $n_o = 1.766$, $n_e = 1.527$] (メルク・ジャパン (株) 製) 77.08wt%を使用する。また、光重合性樹脂材料としては、モノマー材料として2-エチルヘキシルアクリレート (ナカライテスク (株) 製) 21.5wt%、オリゴマー材料としてビスコート#3700 (大阪有機化学工業 (株) 製) 1.30wt%、光硬化開始剤としてダロキュア1173 (メルク社製) 0.07wt%、ルシリンTPO (BASF社製) 0.05wt%からなるものを使用する。

【0039】続いて、透明電極3, 4が対向するように、両ガラス基板1, 2を重ね合わせてパネルPとし、図2, 図3に示す液晶表示素子の製造装置のパネル固定治具20に緩衝材24を介して固定する。そして、パネルPの光照射側のガラス基板2上にオパール型拡散板DF

0-150S-1 (シグマ光機 (株) 製) からなる光拡散媒体25をエチレングリコールを介して重ね合わせる。さらに、パネルPのガラス基板1, 2間に所定の隙間が生じるように、パネル載置面を25℃の均一な温度に保ったパネル固定治具20と、光透過性フィルムシート23とで挟み、押圧する。

【0040】ガラス基板1, 2間に所定の隙間がでている条件下で30秒間放置後、押圧状態のまま、超高圧水銀ランプCHM-3000 ((株) オーク製作所製) 21を用いて、パネルPのガラス基板2に光を照射する。ランプ21とパネルPとの間には、ガラス製熱線吸収フィルターHAF-50S-30H (シグマ光機 (株) 製) 26を2枚設置し、赤外線 (0.8 μm 波長以上) の透過率が約0%となるようにし、次にその熱線吸収フィルター26とパネルPとの間に、ガラス製紫外線カットフィルターUV-35 (東芝 (株) 製) 27を設置し、350 nm未満の波長光を透過させないようにして、パネルPに360 nm付近の紫外線強度が1.3 mW/cm²となる光を3分間照射する。

【0041】続いて、押圧を解除し、パネルPの排出口11から排出された余分な組成物材料をふき取り、排出口11を紫外線硬化性樹脂等で封止する。こうして得られた液晶表示素子の特性評価を、表1の実施例1の欄に示す。この実施例によると、ガラス基板1, 2間の隙間ムラや気泡混入等の問題もなく、均一な高表示品位を有する液晶表示素子を得ることができる。また、シール材7, 8を光重合性樹脂材料にて形成することにより、光を照射して組成物10を硬化する際に、シール材7, 8も同時に硬化することができ、工程数を削減できる。さらに、表1より、保持率HRは96.8%であり、たいへん優れていることがわかる。

【0042】なお、紫外線強度は実施例1に示されている強度のみに限定されるものではなく、3 mW/cm² ~ 160 mW/cm² であれば、本発明の特徴を有するものが得られることが確認できた。また、ガラス基板2に照射される光は、1000 nm以上の波長光と330 nm以下の波長光が、照射光量の1%以下の量となるように処理を施せばよい。また、素子のセル厚も10 μm に限定されるものではない。また、基板温度を実施例1では25℃としたが、この値に限定されるものではない。しかし、基板温度を一定に制御せずに製造すると、製造再現性が悪く、同一の素子を得るのが困難となる。

【0043】比較例1

実施例1に対する比較例を示す。すなわち、実施例1のガラス基板1, 2に対し、絶縁膜5, 6を施す処理をしなかったものを使用し、同様の作製を行った。こうして得られた液晶表示素子の特性評価を表1の比較例1の欄に示す。表1より、保持率HRは86.6%となり、実施例1の保持率HR96.8%に比べ悪くなるのがわかる。

【0044】比較例2

実施例1に対する他の比較例を示す。すなわち、実施例

1の350 nm紫外線カットフィルター27を使用せずに、光照射を行って作製した。こうして得られた液晶表示素子の特性評価を表1の比較例2の欄に示す。電気光学特性は緩やかな特性を示し、保持率HRも92.7%と若干悪くなることがわかる。

【0045】実施例2

第1の実施の形態に対応する他の実施例を示す。すなわち、この実施例は、実施例1に対し、シール材7、8に熱硬化性樹脂であるストラクトボンドXN-21-S〔三井東圧化学(株)製〕を使用した。まず、実施例1と同様に、絶縁膜5、6を施したガラス基板1、2を用意し、ガラス基板2の周辺部にストラクトボンドXN-21-Sに、約0.3wt%スペーサである真し球B-10.0μ〔触媒化成工

業(株)製〕を含ませたものをシール材7、8のように組成物排出口が形成されるように塗布形成し、その塗布形成された基板2を90℃、20分間加熱放置する。その20分加熱終了までに、固着スペーサ9を実施例1と同様に固着させた基板1を用意しておき、後は実施例1と同様に作製する。光照射を終えた後、表示素子を恒温槽にて150℃、2時間放置後、恒温槽から取り出し、液晶表示素子が完成する。こうして得られた液晶表示素子の特性評価を表1の実施例2の欄に示す。表1より、保持率HRが96.4%であり、たいへん優れていることがわかる。

【0046】

【表1】

	実施例1	比較例1	比較例2	実施例2
T ₁₀ (M)	0.09	0.11	0.09	0.10
T ₉₀ (%)	81.8	81.4	80.9	81.8
V ₁₀ (V)	4.2	4.0	3.8	4.2
V ₉₀ (V)	5.8	5.5	5.7	5.8
CR	909	740	899	818
V ₉₀ /V ₁₀	1.88	1.98	1.50	1.40
保持率HR	96.8	88.8	92.7	96.4

【0047】実施例3

第2の実施の形態に対応する実施例を示す。すなわち、この実施例は、図4に示すように、各ガラス基板41、42が矩形であり、ガラス基板41、42の対向面の周辺部に塗布したシール材39、40も長方形をなす。そして、各辺のシール材39、40の中央部に、組成物排出口37、38を形成し、かつガラス基板41、42の四つ角部においてもシール材に組成物排出口(図示せず)を形成する。また、組成物48は、ガラス基板41の中央部に滴下する。なお、これ以外は、実施例1と同様の作製方法を行う。こうして得られた液晶表示素子の特性評価を表2の実施例3の欄に示す。

【0048】この実施例によると、実施例1の液晶表示素子よりも気泡が残りにくく、均一な液晶表示素子を再現良く製造でき、歩留まりも向上する。また、表2より、保持率HRが97.0%であり、たいへん優れていることがわかる。

実施例4

第2の実施の形態に対応する他の実施例を示す。

【0049】この実施例は、実施例3における各辺のシール材39、40の形成部より、1mm程内側にもシール材(図示せず)を形成し、2重のシールとしたものである。それ以外は、実施例3と同様の方法で作製を行った。こうして得られた液晶表示素子の特性評価を表2の実施例4の欄に示す。この実施例によると、ガラス基板41、42の重ね合わせ時の位置ずれがほとんどなく、

再現良く製造できる。また、表2より、保持率HRが95.9%であり、たいへん優れていることがわかる。なお、この2重のシール構造を実施例1に適用してもよい。

【0050】実施例5

第2の実施の形態に対応するさらに他の実施例を示す。この実施例は、実施例3において、光照射側基板上に光拡散媒体を設置せず、光透過性フィルムシートに代えて光拡散フィルムシートを用いたことを特徴とするものである。それ以外は、実施例3と同様の方法で作製を行う。こうして得られた液晶表示素子の特性評価を表2の実施例5の欄に示す。

【0051】この実施例によると、パネルP'を液晶表示素子の製造装置にセットする際に、光拡散媒体を施す手間が省ける。また、表2より、保持率HRが95.2%であり、たいへん優れていることがわかる。なお、この構成を実施例1に適用してもよい。

実施例6

第3の実施の形態に対応する実施例を示す。

【0052】図5において、恒温槽50、51は、基板60、61と接する面が光拡散処理を施された石英、ガラス、樹脂等からなり、本実施例では石英製恒温槽を使用する。恒温槽50、51は、少なくとも上側の恒温槽51が昇降可能となっている。また、恒温槽50、51内に循環ポンプで循環させる流体として、例えば水を使用する。恒温槽50、51には以上の実施例と同様の絶

10

30

40

50

緑膜形成処理およびスペーサ固着を施した基板60, 61を吸着させ、水の循環によって基板60, 61が25℃となるように恒温槽50, 51を制御する。また、基板60に対し、以上に示した実施例と同組成物を所望過剰に滴下ノズル54より滴下する。

【0053】また、位置調整手段55には、CCDや拡大鏡等を使用するが、本実施例ではCCDを使用する。CCD55としては、例えば、WV-CD52（松下電器産業（株）製）のCCDシステムを使い、基板重ね合わせ位置をTVモニター56にてモニターしながら、恒温槽51を下降し、精度良く基板60, 61を重ね合わせ、かつ基板60, 61の隙間が所定の値となるように押圧し、その状態で、恒温槽50, 51を介して上下方向か

ら実施例1と同様の処理（フィルター介在）を施した光を照射する。その後、基板60, 61の吸着を解除し、恒温槽51を上昇させ、液晶表示素子を取り出す。こうして得られた液晶表示素子の特性評価を表2の実施例6の欄に示す。

【0054】この実施例によると、液晶表示素子にはシール部がなく、製造工程を削減でき、かつムラや気泡のない均一な液晶表示素子を歩留まり良く製造することができる。また、表2より、保持率HRが97.1%であり、たいへん優れていることがわかる。

【0055】

【表2】

	実施例3	実施例4	実施例5	実施例6
T ₁ (%)	0.09	0.09	0.18	0.08
T _{max} (%)	81.9	81.7	81.8	80.9
V ₁₀ (V)	4.2	4.8	4.2	4.3
V ₁₀₀ (V)	5.8	5.9	5.9	5.5
CR	910	808	829	1011
V ₁₀₀ /V ₁₀	1.88	1.87	1.40	1.28
保持率HR	97.0	95.9	95.2	97.1

【0056】実施例7

実施例6において、押圧に際し、重ね合わせた基板60, 61を40℃に加熱しながらゆっくりと押圧を行い、気泡が抜けた時点で25℃（初期温度）に温度を低下し、光照射を行うことを特徴とするものである。これによって、気泡のない液晶表示素子を実施例6よりさらに歩留まり良く作製再現できた。なお、特性評価には変わりがなかった。この構成を実施例1, 3に適用してもよい。

【0057】実施例8

実施例6において、組成物の滴下時と基板重ね合わせ時の基板温度を15℃に制御し、組成物が拡散し難いようにし、基板押圧の開始時より25℃に温度を上昇させ、25℃で一定となった後、光照射した。これによって、実施例7よりもさらに気泡のない均一な液晶表示素子を歩留まり良く作製再現できた。

【0058】なお、各実施例で使用した組成物に限定されるものではなく、組成物を以下のように変えても同様の結果を得ることができる。

① モノマーとして2-エチルヘキシルアクリレート（ナカライテスク（株）製）3.0wt%、2-ヒドロキシエチルアクリレート（ナカライテスク（株）製）9.0wt%、ネオペンチルグリコールジアクリレートであるKAYARAD MANDA（日本化薬（株）製）2.48wt%、オリゴマーとしてEO変性ビスフェノールAジアクリレートであるKAYARAD R-551（日本化薬（株）製）5.36wt%、光硬化開始剤とし

てベンジルジメチルケタールであるイルガキュア651

（日本チバガイギー（株）製）0.16wt% からなる光重合性材料と、液晶材料として塩素系液晶TL205〔N-I point=87℃, n_e=1.744, n_o=1.527〕（メルク・ジャパン（株）製）80.0wt%を混合して組成物とした。

【0059】② プレポリマー材料として2-エチルヘキシルアクリレート（ナカライテスク（株）製）17.55wt%、アクリル酸4-ヒドロキシブチルであるアクリエステル4HBA（三菱レイヨン（株）製）0.44wt%、メタクリル酸2-サクシノロイルオキシエチルであるアクリエステルSA（三菱レイヨン（株）製）0.20wt%、KAYARAD PGDA（日本化薬（株）製）1.11wt%、光硬化開始剤として2-ヒドロキシ-2-メチル-1-フェニルプロパン-1-オンであるダロキュア-1173（メルク社製）0.2wt%からなる光重合性材料と、液晶材料としてTL205〔N-I point=87℃, n_e=1.744, n_o=1.527〕（メルク・ジャパン（株）製）80.5wt%を混合して組成物とした。

【0060】③ ②において、プレポリマー成分を同じくし、プレポリマー中の成分割合も同じくし、液晶材料のみをTL205からTL213とし、液晶割合を77wt%とした場合も、同傾向を示し、さらに特性が良くなった。

④ モノマー材料として2-エチルヘキシルアクリレート（ナカライテスク（株）製）21.5wt%、オリゴマー材料としてビスコート#3700（大阪有機化学工業（株）製）1.3wt%、光硬化開始剤としてイルガキュア1700（日本チ

バガイギー(株)製)0.1wt%、液晶材料としてTL213を使用した。この場合、実施例よりもさらに駆動電圧を下げる事ができた。

【0061】シール材に関しても、各実施例に示すものに限定されるものではなく、エポキシエステル300A(共栄社油脂化学工業(株)製)に2wt%ダロキュア1173(メルク社製)を含ませた20℃粘度約10万cpsのものや、M-1200(東亜合成化学工業(株)製)に2wt%ダロキュア1173(メルク社製)を含ませた20℃粘度約14万cpsのものや、アロニックスUV-3033(東亜合成化学工業(株)製)の20℃粘度約25000cpsのものを使用しても、同様の結果を得ることができた。しかし、粘度が20℃において20000cpsに満たないシール材は重ね合わせ時の基板位置ずれが起き易く、作製再現性を落とす結果となることもわかった。これより、シール材は20℃において粘度20000cps以上のものを使用すれば、表記の材料に限定されず、再現良く、所望の位置で基板貼り合わせができるものと考えられる。

【0062】UVランプに関しても、各実施例に示すものに限定されるものではなく、超高压水銀ランプIML-3000(株)オーク製作所製)のものを使用すると、 V_{10}/V_{90} がより一層小さくなり、急峻な素子が得られた。また、ウシオ電機(株)製ランプUVL-6000-0を使用しても、実施例と同様の結果を得ることができた。なお、各実施例において、液晶表示素子の周辺を高分子樹脂で封口してもよい。素子内には紫外線が照射されないようにマスクをし、UV樹脂をパネル周辺に施し、組成物を封口する。例えば、ロックタイト352A(日本ロックタイト(株)製)をUV(350nm)55mW/cm²、90秒照射により硬化させる。その結果、電気光学特性はほとんど変わらなかったが、素子の寿命が延びることがわかった。

【0063】

【発明の効果】請求項1の液晶表示素子の製造方法によると、少なくとも一方が透光性を有した一对の基板の一方に、液晶材料と光重合性樹脂材料の組成物を滴下して重ね合わせ、透光性を有した基板側から光を照射することにより、液晶表示素子が得られ、常圧下で、かつ基板の形状や濡れ性の影響を受けずに製造できる。したがって、ムラなく、回り込み等による気泡の発生を回避でき、短時間で、均一な高分子分散型液晶表示素子を迅速に再現良く製造することができる。また、押圧解除後でも、均一セル厚を保ち、気泡が混入することもなく、均一なセル厚の液晶表示素子が得られる。さらに、シール部がなく、製造工程を削減できる。

【0064】請求項2~5の液晶表示素子の製造方法によると、少なくとも一方が透光性を有した一对の基板の一方に、液晶材料と光重合性樹脂材料の組成物を滴下し、シール材を塗布して重ね合わせ、透光性を有した基板側から光を照射することにより、液晶表示素子が得られ、常圧下で、かつ基板の形状や濡れ性の影響を受けず

に製造できる。したがって、ムラなく、回り込み等による気泡の発生を回避でき、短時間で、均一な高分子分散型液晶表示素子を迅速に再現良く製造することができる。また、押圧解除後でも、均一セル厚を保ち、気泡が混入することもなく、均一なセル厚の液晶表示素子が得られる。

【0065】請求項3の液晶表示素子の製造方法によると、シール材が光重合性樹脂材料からなるので、光照射により、組成物を硬化する際に、シール材も同時に硬化することができ、工程数を削減できる。請求項6の液晶表示素子の製造方法によると、シール材を2重に施すことで、一对の基板の位置ずれを小さくすることができる。

【0066】請求項7の液晶表示素子の製造方法によると、少なくとも一方が透光性を有した一对の基板の一方に、液晶材料と光重合性樹脂材料の組成物を滴下し、位置調整手段により一对の基板を位置調整しながら重ね合わせ、透光性を有した基板側から光を照射することにより、液晶表示素子が得られ、常圧下で、かつ基板の形状や濡れ性の影響を受けずに製造できる。したがって、ムラなく、回り込み等による気泡の発生を回避でき、短時間で、均一な高分子分散型液晶表示素子を迅速に再現良く製造することができる。また、押圧解除後でも、均一セル厚を保ち、気泡が混入することもなく、均一なセル厚の液晶表示素子が得られる。

【0067】請求項8の液晶表示素子の製造方法によると、基板を押圧する際に加熱することで、気泡を抜くことができ、気泡のない液晶表示素子を得ることができ。請求項9の液晶表示素子の製造方法によると、透光性を有した基板側から、1000nm以上の波長光と330nm以下の波長光が、照射光量の1%以下の量である光を照射することにより、液晶表示素子が得られ、常圧下で、かつ基板の形状や濡れ性の影響を受けずに製造できる。したがって、ムラなく、回り込み等による気泡の発生を回避でき、短時間で、均一な高分子分散型液晶表示素子を迅速に再現良く製造することができる。

【0068】請求項10、11の液晶表示素子の製造装置によると、少なくとも一方が透光性を有した一对の基板の一方に、液晶材料と光重合性樹脂材料の組成物を滴下し、シール材を塗布して重ね合わせ、透光性を有した基板側から光を照射することにより、液晶表示素子が得られ、常圧下で、かつ基板の形状や濡れ性の影響を受けずに製造できる。したがって、ムラなく、回り込み等による気泡の発生を回避でき、短時間で、均一な高分子分散型液晶表示素子を迅速に再現良く製造することができる。また、押圧解除後でも、均一セル厚を保ち、気泡が混入することもなく、均一なセル厚の液晶表示素子が得られる。

【0069】請求項12の液晶表示素子の製造装置によると、恒温槽で吸着された一对の基板のうち下側の恒温

槽に吸着された基板上にノズルより組成物を滴下し、恒温槽を移動し位置調整手段にて重ね合わせ位置を調整しながら一対の基板を重ね合わせ、さらに光照射することにより、液晶表示素子が得られ、常圧下で、かつ基板の形状や濡れ性の影響を受けずに製造できる。したがって、ムラなく、回り込み等による気泡の発生を回避でき、短時間で、均一な高分子分散型液晶表示素子を迅速に再現良く製造することができる。また、押圧解除後でも、均一セル厚を保ち、気泡が混入することもなく、均一なセル厚の液晶表示素子が得られる。

【0070】この結果、本発明の液晶表示素子を表示素子として用いる場合、薄膜トランジスタ（TFT）との組み合わせによりアクティブマトリクス駆動させることにより、高い表示性能が得られる。また、本発明の液晶表示素子を投写光学系と組み合わせることにより、優れた表示性能の投写型ディスプレイが実現できる。

【図面の簡単な説明】

【図1】この発明の第1の実施の形態における液晶表示素子の製造工程の概略断面図である。

【図2】この発明の第1の実施の形態における液晶表示素子の製造装置の概略斜視図である。

【図3】この発明の第1の実施の形態における液晶表示

素子の製造装置の部分拡大斜視図である。

【図4】この発明の第2の実施の形態における液晶表示素子の製造工程の概略断面図である。

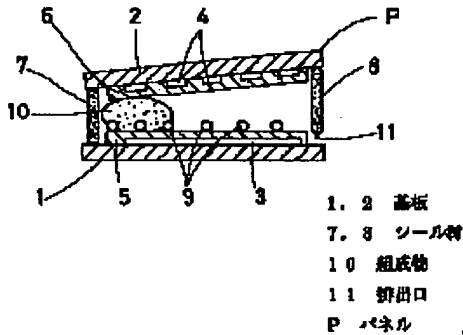
【図5】この発明の第3の実施の形態における液晶表示素子の製造装置の概略斜視図である。

【図6】液晶表示素子の特性評価用電圧保持率測定波形図である。

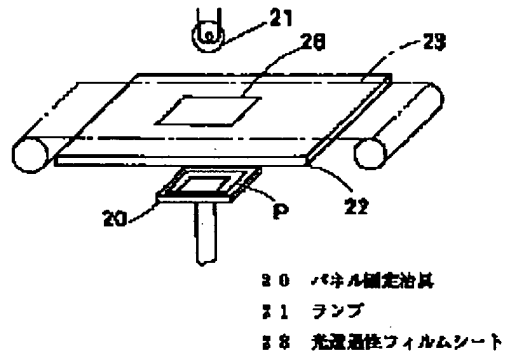
【符号の説明】

- 1, 2, 41, 42, 60, 61 基板
- 7, 8, 39, 40 シール材
- 10, 48 組成物
- 11, 37, 38 排出口
- P, P' パネル
- 20 パネル固定治具
- 21, 57, 58 ランプ
- 23 光透過性フィルムシート
- 24 緩衝材
- 25 光拡散媒体
- 50, 51 恒温槽
- 54 ノズル
- 55 CCD (位置調整手段)

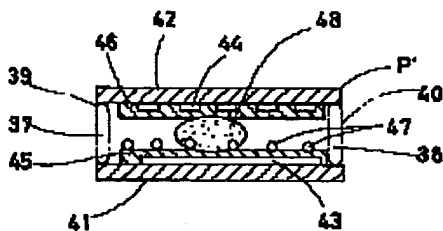
【図1】



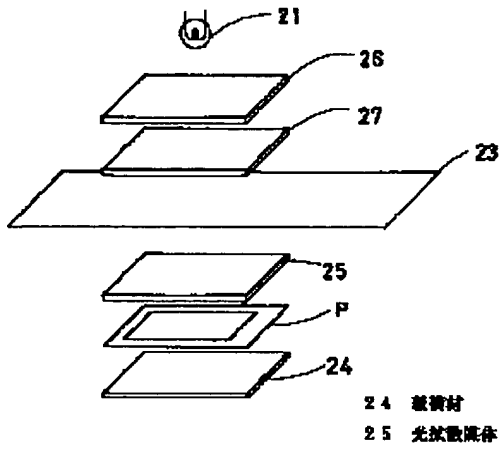
【図2】



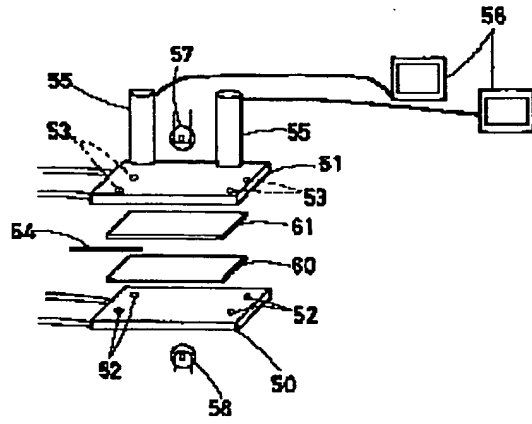
【図4】



【図3】



【図5】



【図6】

